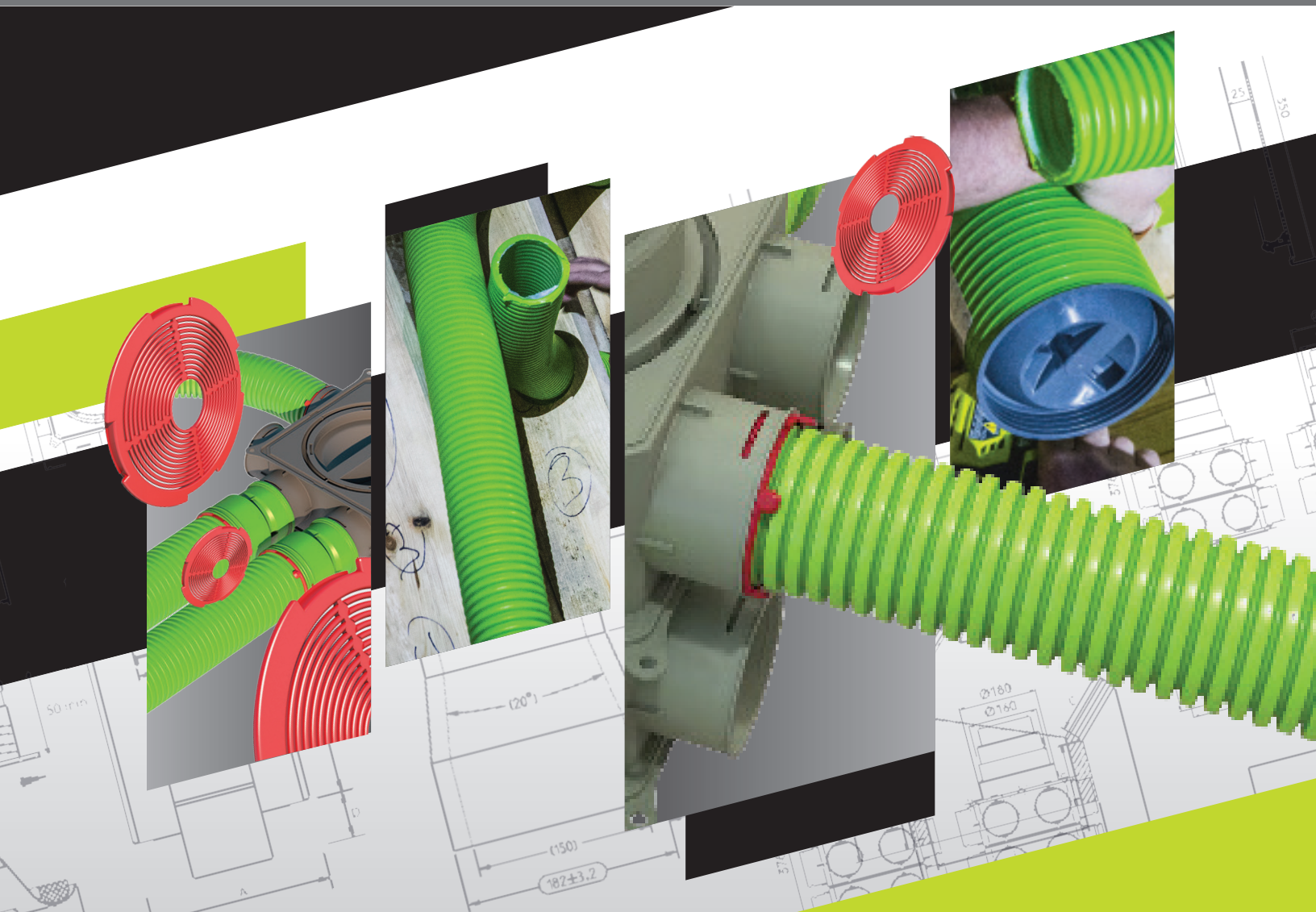


SMART VENTILATION,
HEALTHY LIVING

Product Catalog



Centrotherm
solutions beyond





Insulated mass
flow ductworks



Wall
terminals



Supply and
extract
valves



A Brief History of Ubbink Residential Ventilation

Drawing on over a century of engineering innovation, Centrotherm is proud to offer Ubbink Air Excellent, AerFoam, and Haelix and Contego terminals – together. Centrotherm ventilation systems provide a litany of IAQ benefits while remaining easy and versatile to install.

Indoor air quality is critically impactful on personal health. Centrotherm ventilation systems will provide balanced, draft-free fresh air to the living areas, while efficiently ventilating kitchens and bathrooms.

Table of contents

Residential Ventilation

Aeroflux Mass Flow Duct	4
Complete Air Distribution System	7
Semi-Rigid Circular Ductwork	13
Terminations	15
Dimensional Data	17



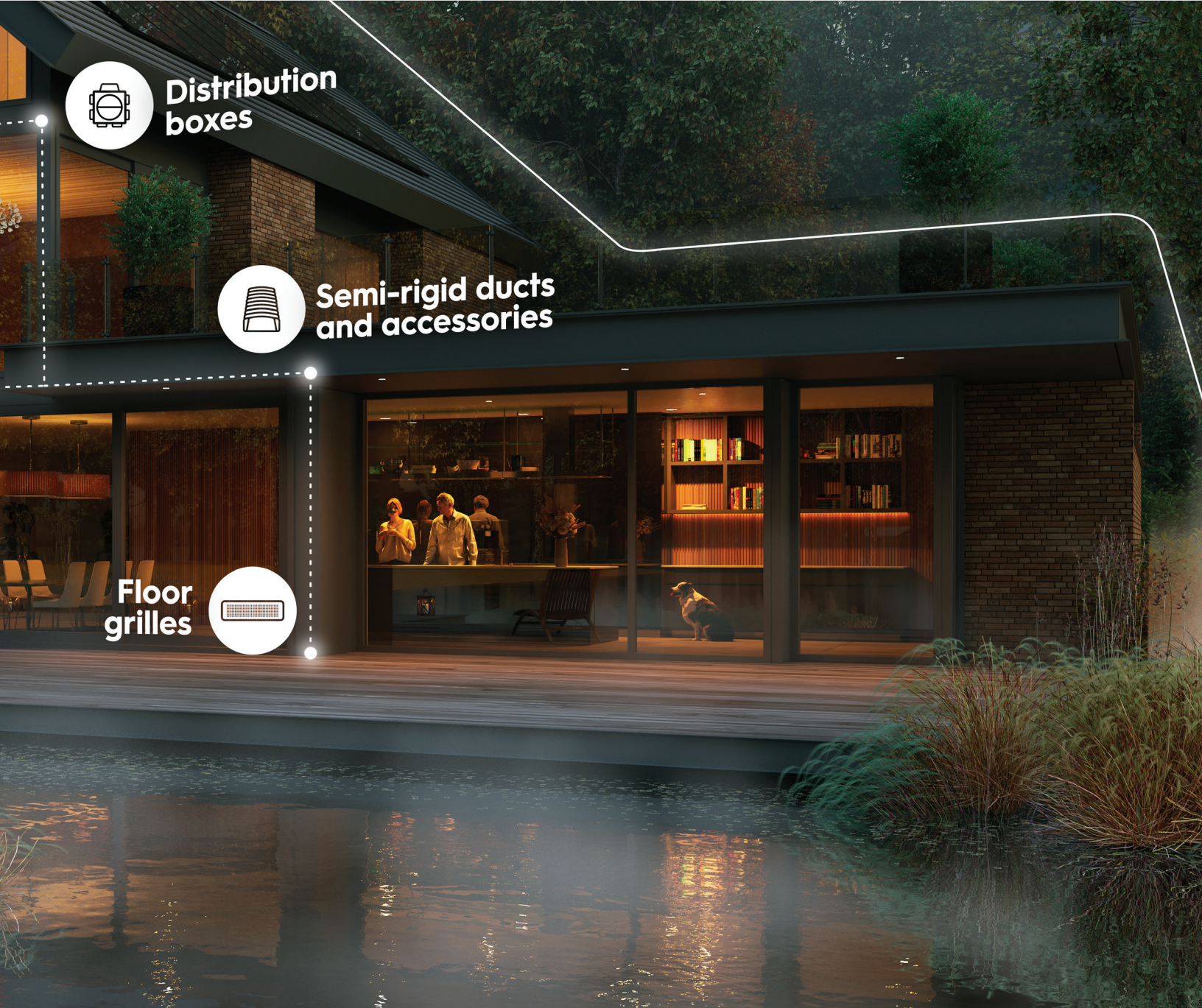
Distribution boxes



Semi-rigid ducts and accessories



Floor grilles



VENTILATION

HIGHEST QUALITY AIR

- An engineered polyethylene semi-rigid duct system
- Compatible with any HRV or ERV appliance on the market
- Class ATC-1 Airtightness (EN 12237) to $\pm 8''$ water column

Benefits of Air Excellent?

- Ensures balanced air exchanges in the dwelling
- Improves the energy efficiency of the appliance up to 63% ¹
- Reduces carbon footprint ²
- Decreases install time up to 30%

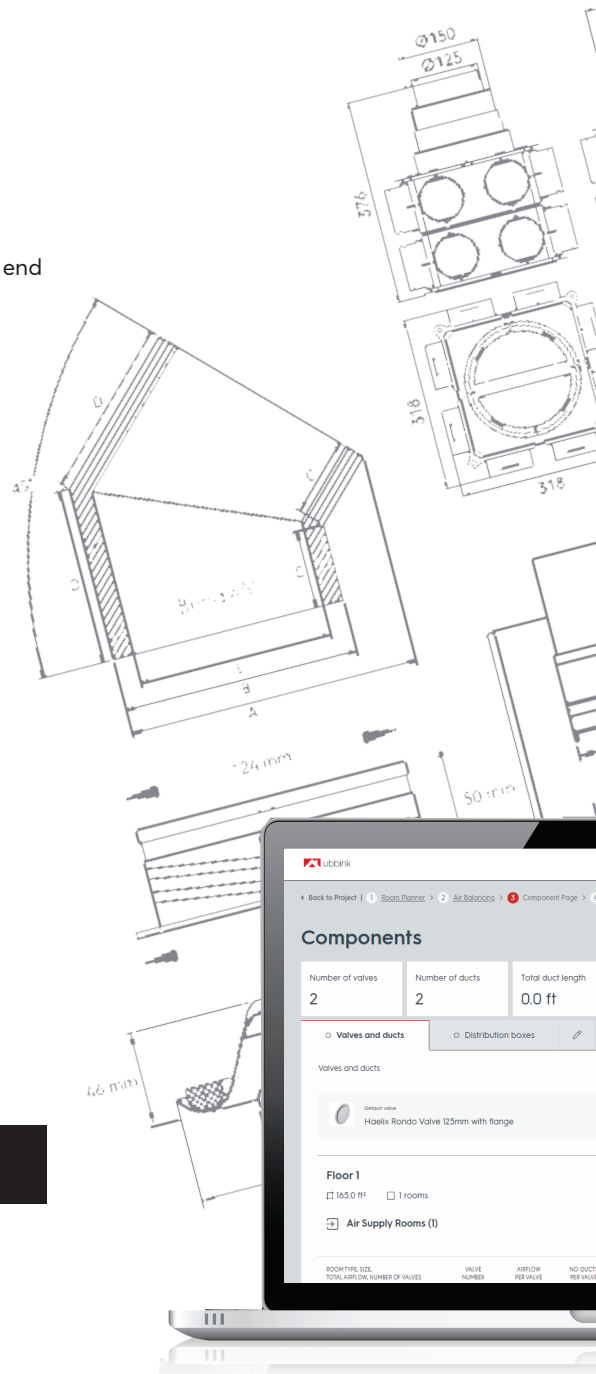
How Air Excellent works?

- Continuous duct runs with mechanical airtight connections at each end
- Pre-engineered with **No Field Commissioning Required**

1. Leprince, V., Lightfoot, M., & Jelmer, de J. (2019). IMPACT OF DUCTWORK LEAKAGE ON THE FAN ENERGY USE OF CENTRAL MECHANICAL VENTILATION UNITS WITH HEAT RECOVERY USED IN HOUSES. <https://www.centrotherm.ca/products/air-excellent-air-management-system/>
2. Epstein, M. (2021). Air Ventilation: Health and Environmental Benefits of Fully Dedicated vs. Partially Dedicated Systems. *Centrotherm Eco Systems*. <https://www.centrotherm.ca/products/air-excellent-air-management-system/>

Continuous Mechanical Airtight Ducts Prevents Air Leakage.

No Duct Seal, No Duct Tape, No Screws.

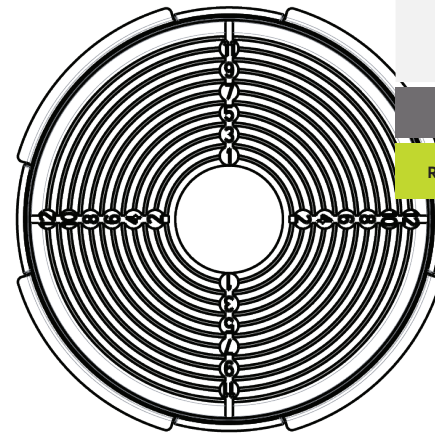


Accurate Air Flow Calculations Equals the Highest Air Quality.

Each Centrotherm ventilation system is **precisely designed for precise air supply and exhaust**. Measuring air flow is an inexact science, but our proprietary balancing software accurately calculates the ventilation layout to achieve the required air exchanges and provide optimal indoor air quality.

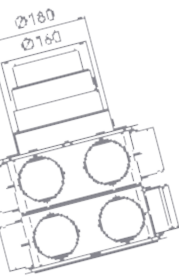
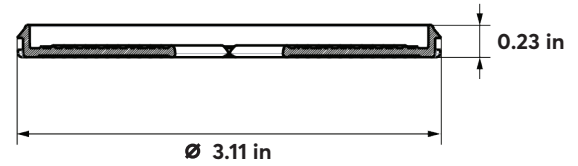
The Centrotherm configurator will not only provide a visual overview of the design, but outline type and quantity of Ubbink Air Excellent, AerFoam, Haelix, and Contego components necessary to complete the installation.

Contact Centrotherm and we'll help you get trained on how to properly balance your own Centrotherm ventilation systems and start engineering industry leading IAQ systems.



188564

Restrictor Ring



Reports

Total floors	Total rooms	System type	Total surface	Total valves	Total duct length
1	1	D	165.0 ft ²	2 pcs.	0.0 ft

PDF

- Technical overview
- Bill of Materials
- Bill of Materials - Simple

Downloads

- Export selected
- Create/Update quote

Default components

- Air Excellent AE34C Semi-Rigid Duct Anti-Microbial & Anti...

Ventilation system components

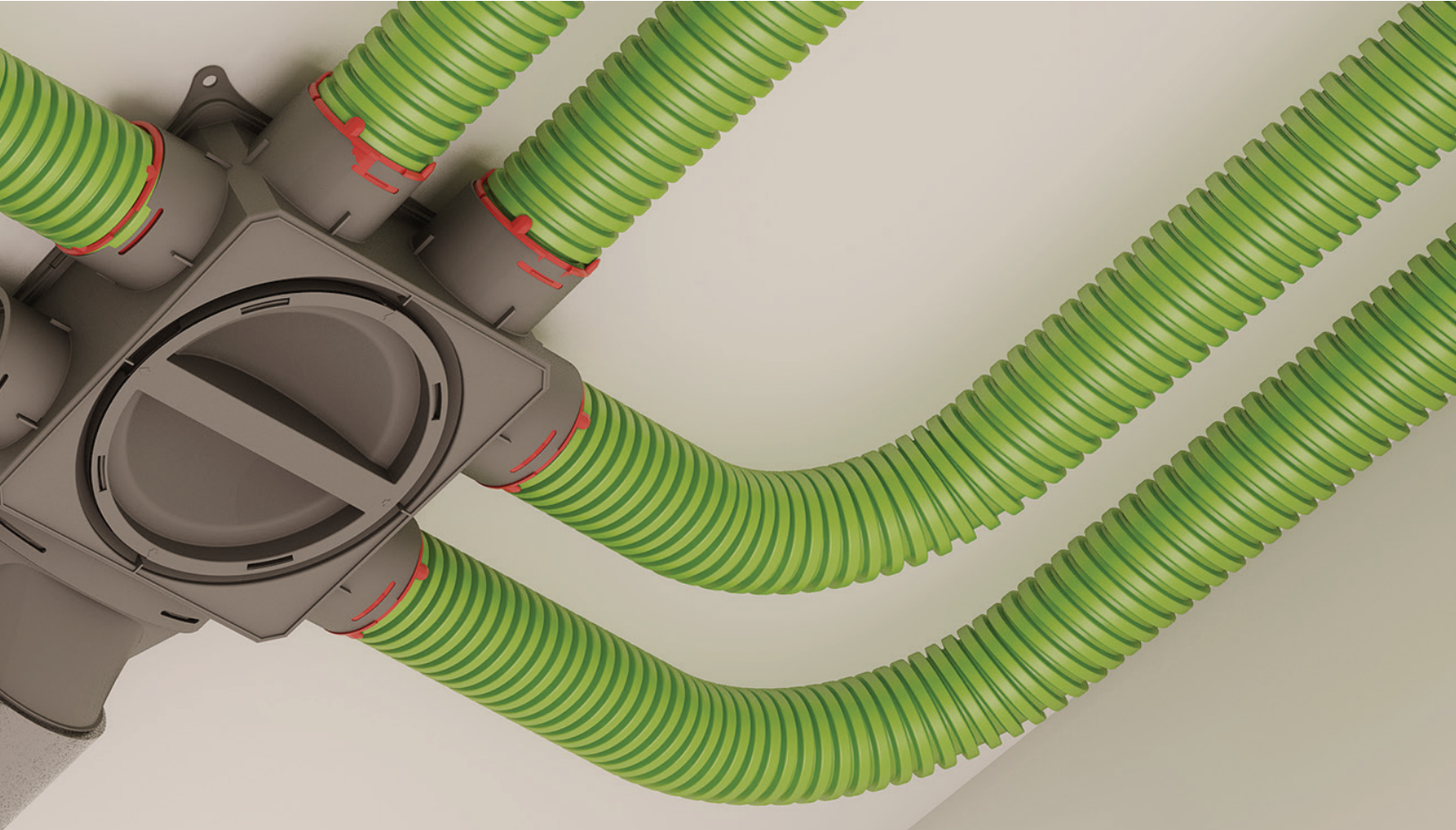
- Valves and ducts
- Distribution boxes
- Units
- Terminals

Components

Number of valves	Number of ducts	Total air length	Total pressure loss	Total system balance
2	2	0.0 ft	5.95 pa / 0.00 pa	30 CFM / 0 CFM

RESIDENTIAL VENTILATION





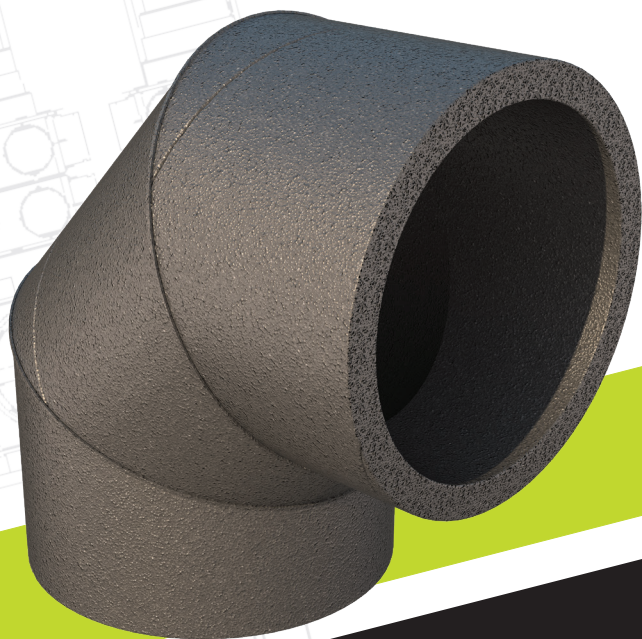
AEROFLUX

MASS FLOW DUCT

Aerfoam Insulated



ubbink



BRACKET
169141

BEND 90°
188263

DUCT 2M
188202

Full System Configuration

Precise Delivered CFM

Completely Balanced System

No End Commissioning

Mass Flow Duct

Aerfoam Insulated Mass Flow Ductwork



Draw fresh air from the outside, and return stale air to the appliance through easily assembled Air Excellent mass flow duct. These insulated lightweight lengths and elbows assemble quickly providing a smooth path to and from the appliance.



Aerfoam Insulated Mass Flow Ductwork

125 mm

180 mm

	Description		
	Duct 2m	188202	188206
	Bend 90°	188263	188283
	Bend 45°	188262	188282
	T-Piece	188264	
	Duct connector	188265	188285
	Duct wall bracket	169141	169143
	Aerfoam Adaptor 180 (F) – 150 (M)		188979



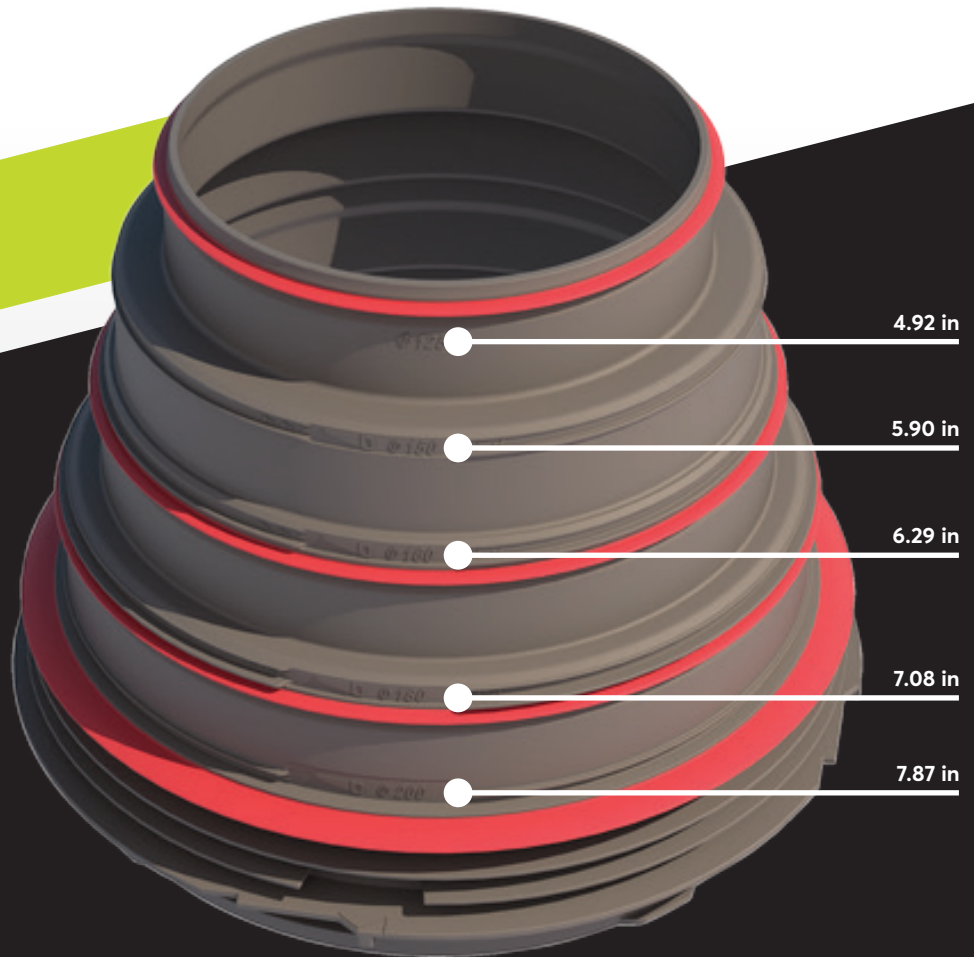
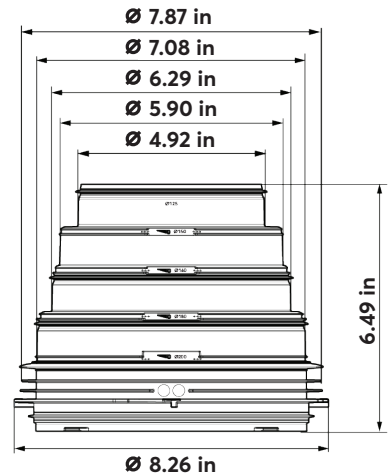
D BOX

STEPPED ADAPTOR

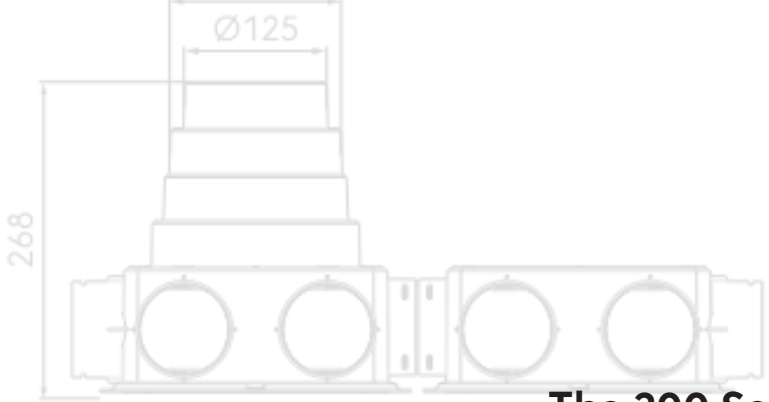
125-180

NEW

- Adapts seamlessly to various configurations with its five available diameters
- Designed for easy cutting with integrated cutting grooves
- Minimizes system pressure loss with its efficient design
- Ensures airtight and safe assembly with integrated TPE seals, reducing fan energy use and minimizing sound production



CONNECTION SCHEME



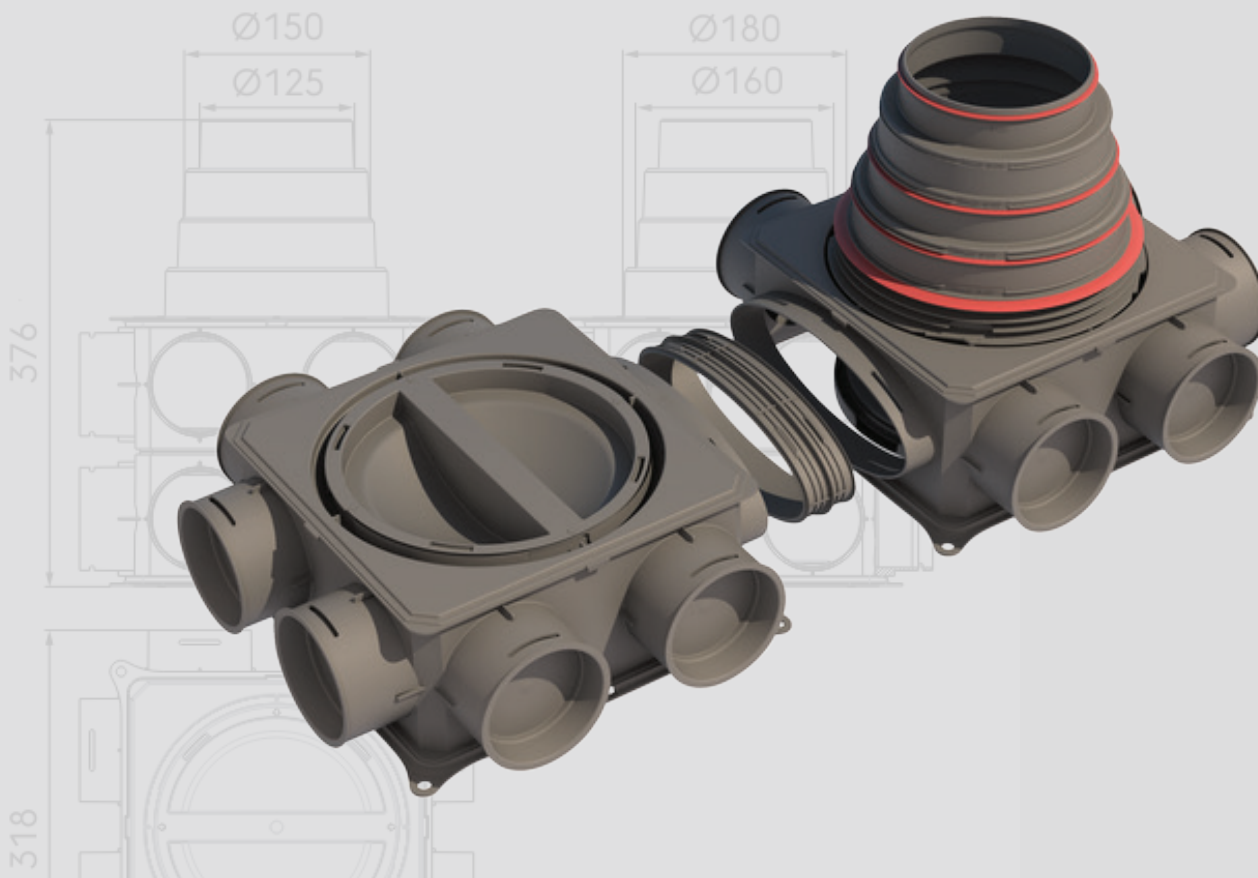
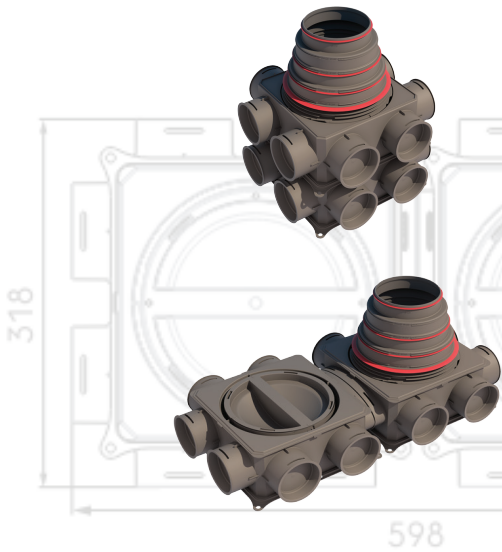
The 200 Series Distribution Boxes

The system consists of modular box units and adapters that can be merged to function as one system.

200 Series Distribution Boxes come with caps for half of the DBox duct outlet and restrictor rings for every outlet. Allowing for multiple installation configurations.

This distribution system allows for tailor-made solutions for any orientation, while preventing incorrectly balanced installations.

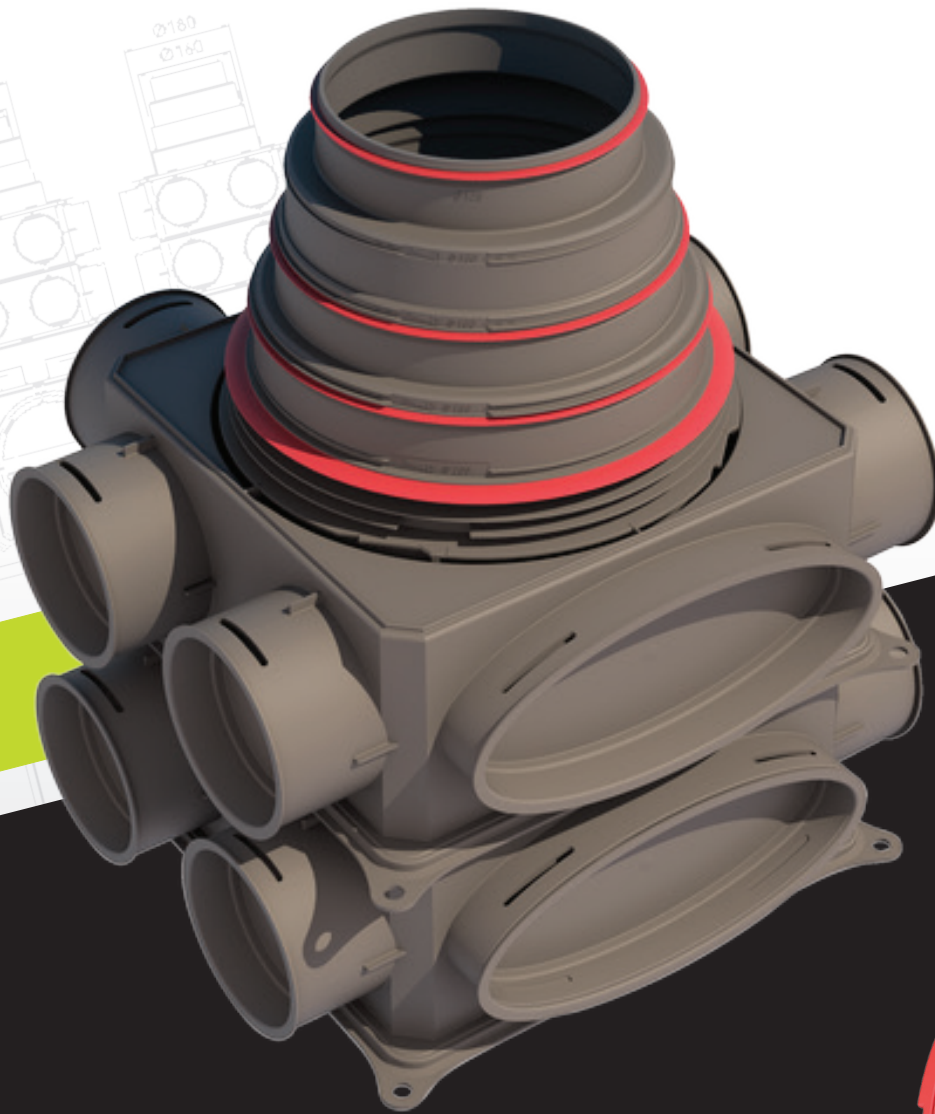
Its small dimensions make it ideal for homes that require lower air volumes or buildings that have limited installation space. Installations do not require separate mounting brackets and can be executed by a single person on walls, floors, and ceilings.





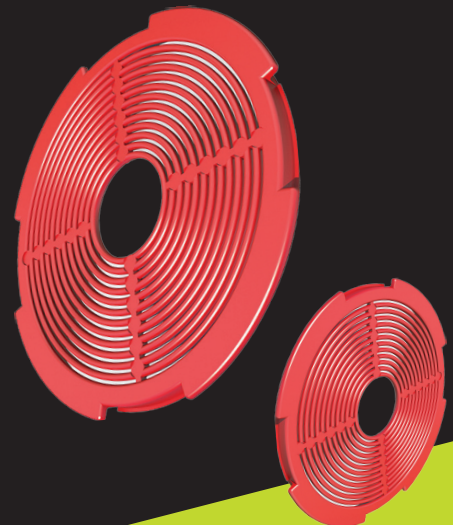
D-BOXES

PRESSURE CONFIGURATOR 200 SERIES DISTRIBUTION BOXES



Air Restrictor Ring

- **Precise air flow control** for each duct individually
- **Easy, tool-free adjustment**



Air Excellent Air Distribution System

Air Excellent Distribution Boxes

Distribution boxes are the heart of Air Excellent's configurable system. The Air Excellent Pressure Configurator software will precisely define the quantity of duct runs and the arrangement of restrictor plates. Ubbink's Distribution Boxes are supplied with enough restrictor rings and caps to complete the installation.



200 Series Distribution Boxes

	Description	
	Air Excellent distribution box DB206V125-200 6 connections	188960
	Air Excellent distribution box DB206H125 6 connections	188642
	Air Excellent distribution box DB208V125-200 8 connections	188961
	Air Excellent distribution box DB212V125-200HE 12 connections	188962
	Air Excellent distribution box DB212V125-200VE 12 connections	188964
	Air Excellent distribution box DB216V125-200VE 16 connections	188965
	Air Excellent DBOX Cover	188563
	Air Excellent DBOX Internal Air Restrictor Ring	188564
	Air Excellent DBOX External Air Restrictor Valve	188663



SEMI-RIGID

CIRCULAR DUCTWORK

188661

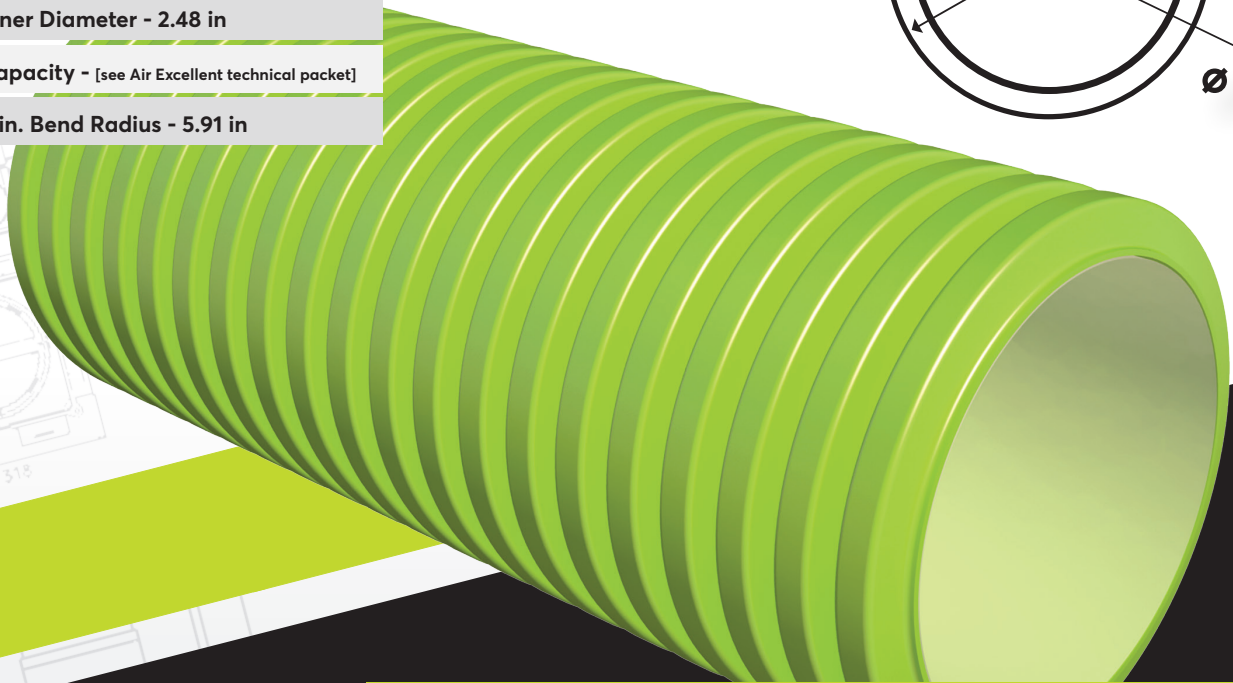
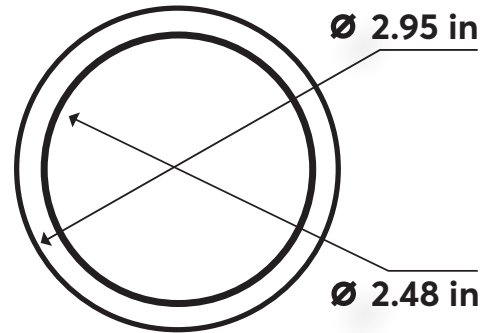
Dimensions

Outer Diameter - 2.95 in

Inner Diameter - 2.48 in

Capacity - [see Air Excellent technical packet]

Min. Bend Radius - 5.91 in



Airtight (ATC 1)

Anti-Microbial & Anti-Static



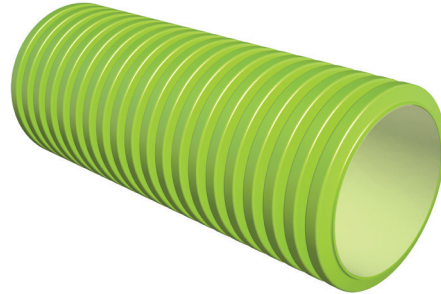
- Semi-rigid plastic ducts on a roll and airtight mechanical connections, which are extremely easy to install
- Low system pressure loss due to radial design
- Airtight (ATC 1) thanks to mechanical connections, which minimizes fan energy use and sound production

Air Excellent Semi-Rigid Circular Ductwork



Air Excellent semi-rigid plastic duct 3 in with anti-microbial and anti-static additives.

- Semi-rigid plastic ducts on a roll
- Extremely easy to install
- Low system pressure loss due to radial design
- Airtight thanks to mechanical connections



AE34C Flexible Ductwork

	Description	
	Air Excellent AE34C Semi-Rigid Duct Anti-Microbial & Anti-Static 50m	188661
	Air Excellent 1x AE34C Valve Adaptor 125mm 90° with mounting strip	188972
	Air Excellent 2x AE34C Valve Adaptor 125mm 90° with mounting strip	188974
	Air Excellent 2x AE34C Valve Adaptor 125mm 180°	188399
	Air Excellent AE34C Floor Grille Adaptor	188973
	Air Excellent AE34C Connector Kit	188993
	Air Excellent AE34C Bend 90° Kit	188599
	Excellent AE34C Click-Seal Ring (10 Pieces)	188991
	Air Excellent Duct Tie wraps with screw saddle (100 pcs)	188978-100
	Air Excellent AE34C Duct Cap (10 Pieces)	188681

HAELIX

VALVES

188062



● **Integrated Fan-Shaped Air Diffuser**

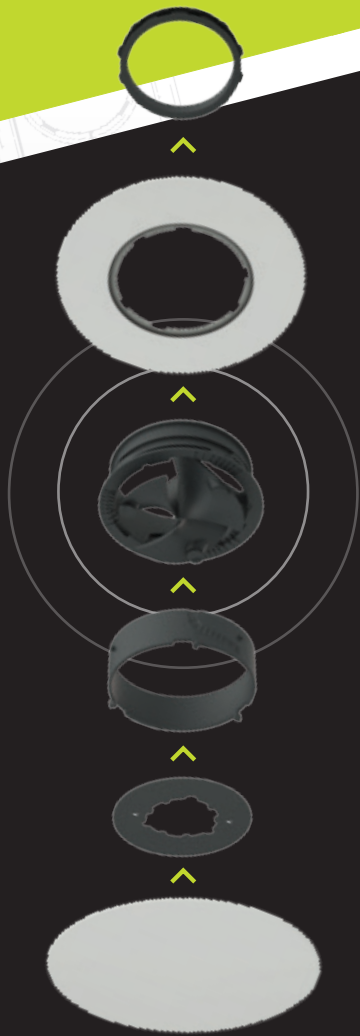
• **For improved** air distribution

For Air Supply and Exhaust

Low Noise Level

Wide Flange to Prevent Dirt Deposits

9-Step Adjustment Ring



CONNECTION SCHEME

CONTEGO

WALL TERMINATION

188844 & 188842

NEW

A Sleek and Practical Solution

Timeless Design, Simple Installation





Wall Terminations

Wall Terminations

	Description	
	Contego Wall Terminal 125mm Black Grey	188844
	Contego Wall Terminal 180mm Black Grey	188842

Valves

Haelix Valve

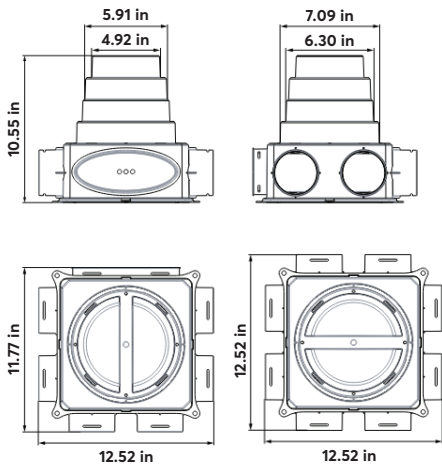
	Description	
	Haelix Rondo Valve 125mm with flange	188062

Floor Grille

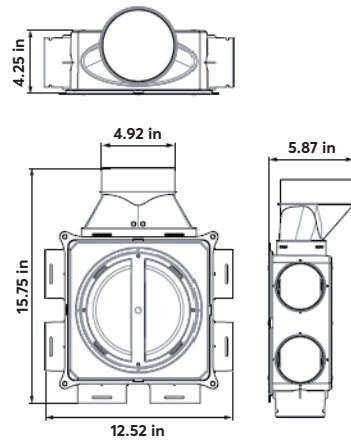
Floor Grille

	Description	
	Air Excellent Floor Grille White	188316

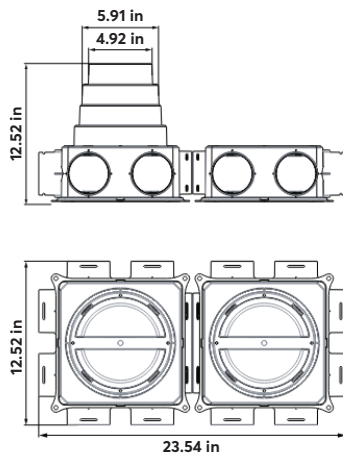
188960 & 188961 pg11



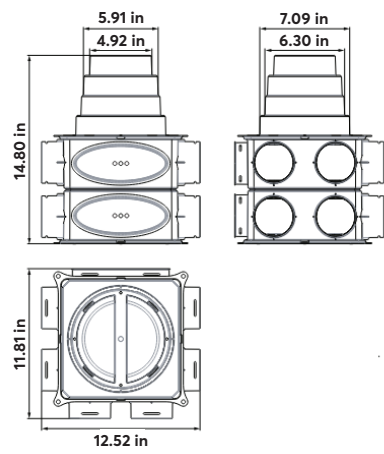
188642 pg11



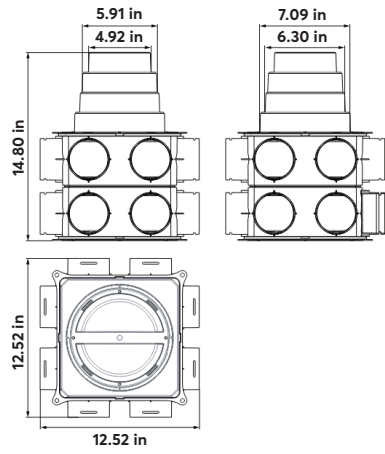
188962 (Inline) pg11



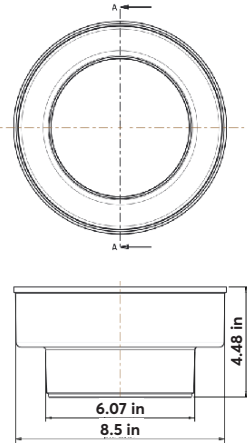
188964 (Vertical) pg11



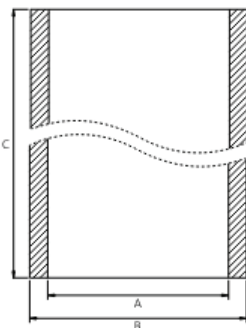
188965 pg11



188979 pg7

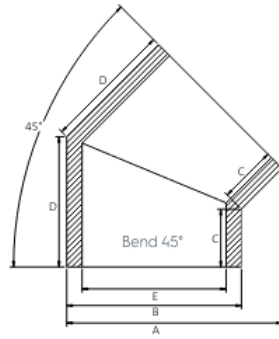


188202 & 188206 pg7



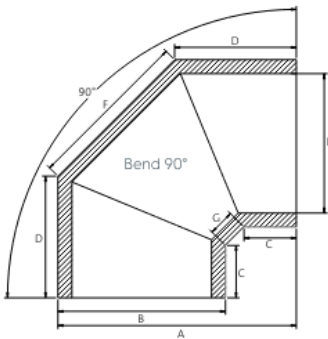
Dimensions	5 in	7 in
A [in]	4.92	7.09
B [in]	6.18	8.35
C [in]	0.079	0.079
Zeta [lbs]	1.06 lbs	1.48 lbs

188262 & 188282 pg7



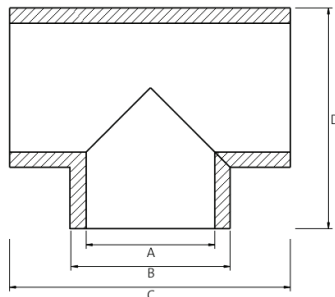
Dimensions	5 in	7 in
A [in]	7.83	10.15
B [in]	6.18	8.35
C [in]	2.36	2.56
D [in]	4.92	6.02
E [in]	4.92	7.09
Zeta [lbs]	1.17 lbs	0.88 lbs

188263 & 188283 pg7



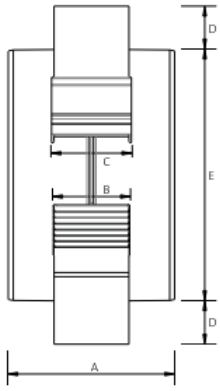
Dimensions	5 in	7 in
A [in]	9.37	11.73
B [in]	6.18	8.35
C [in]	2.36	2.56
D [in]	4.92	6.02
E [in]	4.92	7.09
F [in]	6.26	8.11
G [in]	1.18	1.18
Zeta [lbs]	1.94 lbs	1.85 lbs

188264 pg7



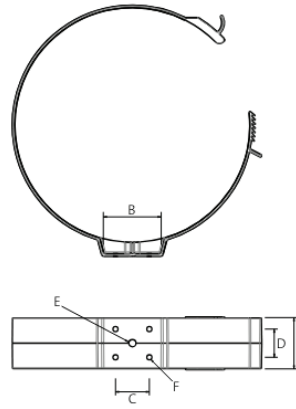
Dimensions	5 in
A [in]	4.92
B [in]	6.18
C [in]	10.87
D [in]	8.50

188265 & 188285 pg7



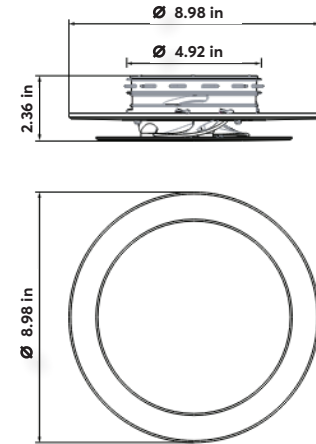
Dimensions	5 in	7 in
A [in]	3.94	4.72
B [in]	1.77	1.77
C [in]	1.89	1.89
D [in]	0.59	0.59
E [in]	4.92	7.09

169141 & 169143 pg7

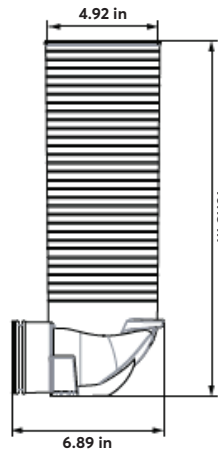
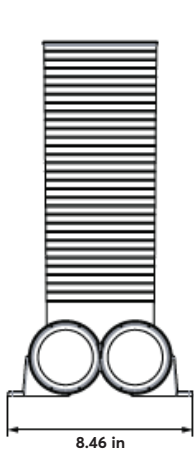


Dimensions	5 in	7 in
A [in]	1.77	1.77
B [in]	1.97	1.97
C [in]	1.18	1.18
D [in]	0.98	0.98
E [in]	M8	M8
F [in]	-	-

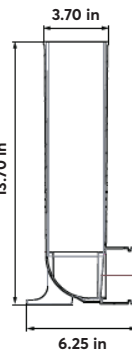
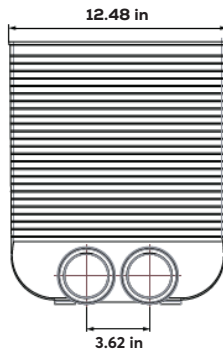
188062 pg15



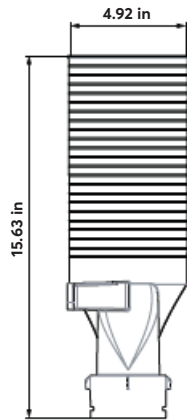
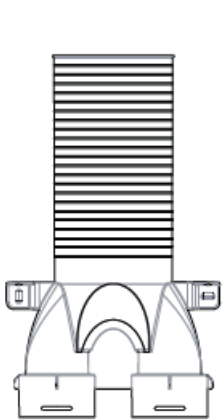
188974 pg13



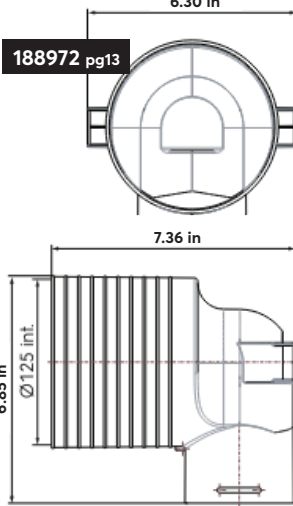
188973 pg13



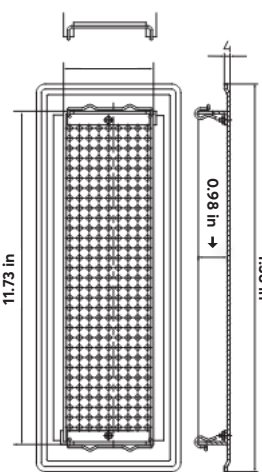
188399 pg13



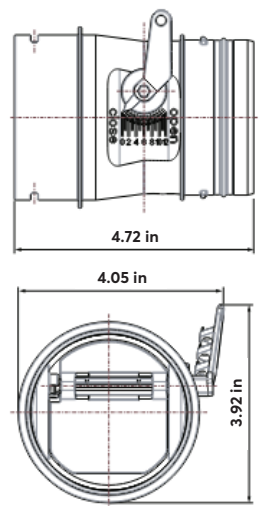
188972 pg13



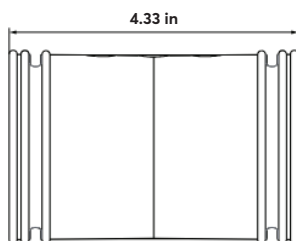
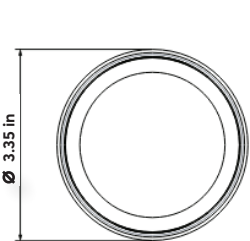
188316 pg15



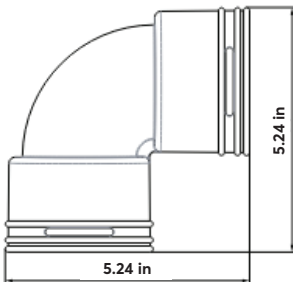
188663 pg13



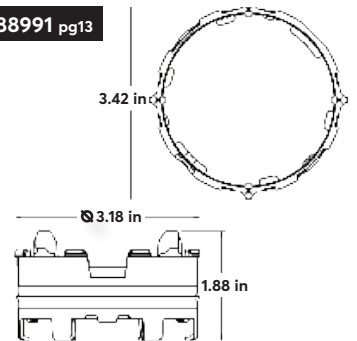
188993 pg13



188599 pg13



188991 pg13





Centrotherm
solutions beyond



Centrotherm Eco Systems LLC

@ info@centrotherm.us.com • www.centrotherm.us.com

