

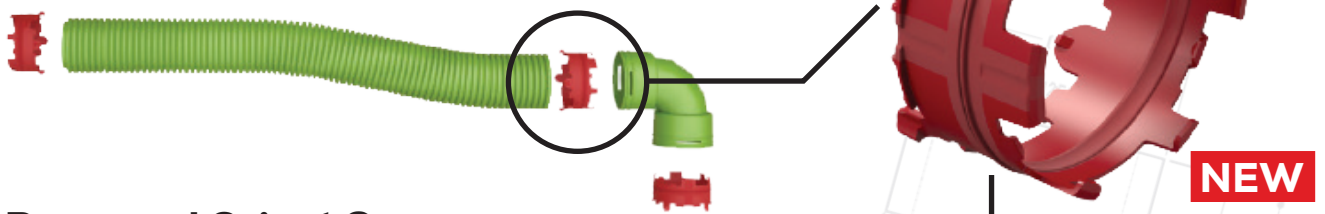
# CLICK-SEAL



Build smart.

## NEW Air Excellent Click-Seal Ring for Faster Duct Installation

This new component replaces the traditional click ring and separate seal with a patented **2-in-1 solution**, that combines both functions into a single pre-assembled part. By reducing the number of loose components, the Click-Seal Ring aims to support faster installation while minimizing the risk of assembly errors on site.



### Patented 2-in-1 System

The innovative Click-Seal technology combines mechanical locking and airtight sealing into a single, integrated component. **By removing the need for separate rings or seals, installation becomes simpler, faster, and more reliable.**

### One Click Installation

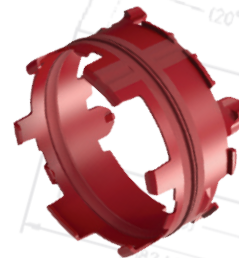
Create a secure and airtight duct connection in seconds. Simply push the duct into the accessory until you hear the audible click, confirming both mechanical engagement and sealing.

### Guaranteed Airtight

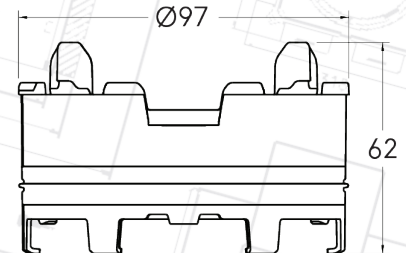
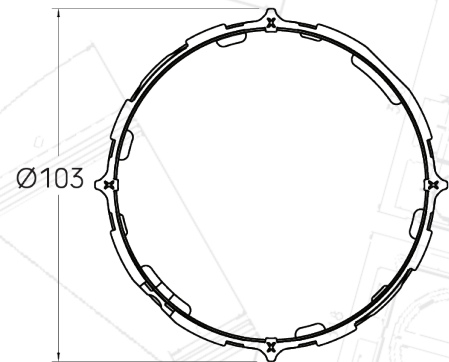
The integrated seal ensures consistent airtight performance. From distribution boxes to valve adaptors, you can rely on durable, high-quality connections throughout the system.

### Faster Installations

With fewer components to handle and fewer steps to complete, installers can work more efficiently on site. The streamlined process helps save time across projects while reducing the likelihood of assembly mistakes.



**Size:**  
AE34C (75 mm)



C&S2026  
Rev 04

**Contact Us:**

<http://centrotherm.us.com>  
[info@centrotherm.us.com](mailto:info@centrotherm.us.com)  
518.434.3400



UL 1738  
ULC S636



Centrotherm